



FRA-24



★ All faucets are NSF/ANSI 61, Annex G low lead compliant

Project: _____	AIA# _____
Item #: _____ Qty: _____	SIS# _____
Model #: _____	

## Ice Cream Freezers

FRA-24, FRA-36, FRB-24 or FRB-36

### Standard Features

- All stainless steel exterior with 16 gauge galvanized steel floor.
- Completely integrated design - not just a cabinet with separate drop-in module
- One-piece, seamless top and backsplash
- Adjustable stainless steel bullet feet
- Foamed-in-place insulation
- 6" diameter seamless welded draining dipper well and faucet
- Six foot grounded cord and plug provided (exits at rear)
- Available sizes to hold one or two 3-gallon containers
- Leg sockets recessed into base

### Specifications

**Drains**

- 1-1/2" I.P.S. Threaded drain will fit Dearborn part #8033 slipnut and part #W-573P washer.

**Faucet**

- Accepts 3/8" cold water leads

**Capacity**

- 24" wide model holds one 3-gallon container
- 36" wide model holds two 3-gallon containers

**Electrical**

- 120V, 1 phase, 60 Hz, 4.2 full load amps
- Dedicated 15 amp circuit is recommended
- Includes 6 foot grounded cord and plug

**Refrigeration**

- Operating range -5°F to 10°F
- 1/5 HP, R404A refrigerant

**Legs**

- 1-5/8" diameter 16 gauge stainless steel
- Stainless steel bullet feet

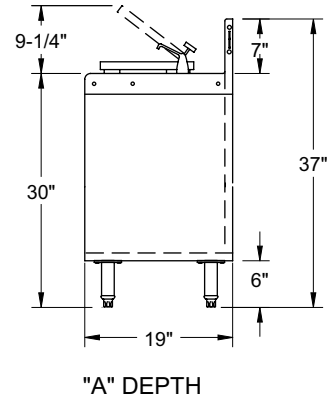
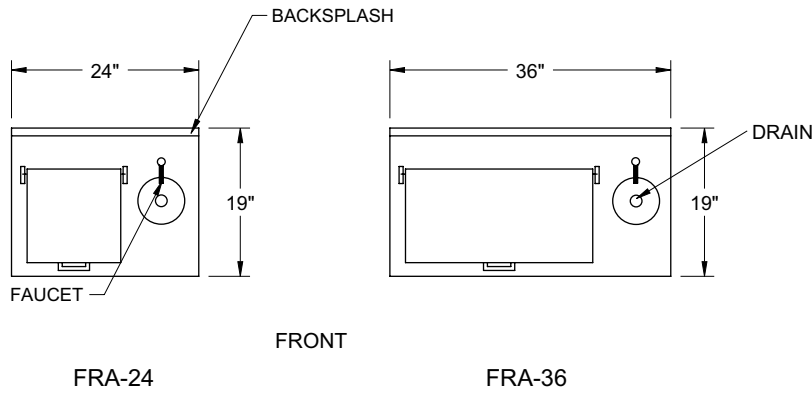
**Materials**

- 20 gauge stainless steel parts include: all components unless otherwise noted
- 22 gauge galvanized steel parts include: wrap on body of freezer unit
- 16 gauge galvanized steel parts include: cabinet floor, condensing unit floor, and leg pads

<b>Glastender, Inc.</b> • 5400 North Michigan Road • Saginaw, MI • 48604-9780 989.752.4275 • 800.748.0423 • Fax 989.752.4444 <a href="http://www.glastender.com">www.glastender.com</a>	Approval/Notes:
Specifications subject to change without notice. For current specifications please visit our website.	

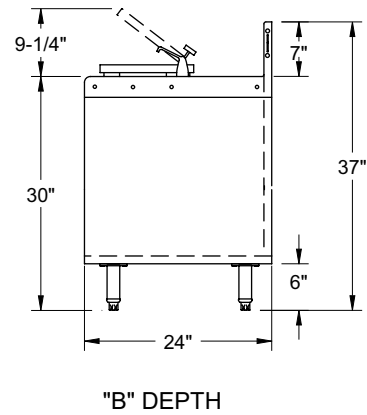
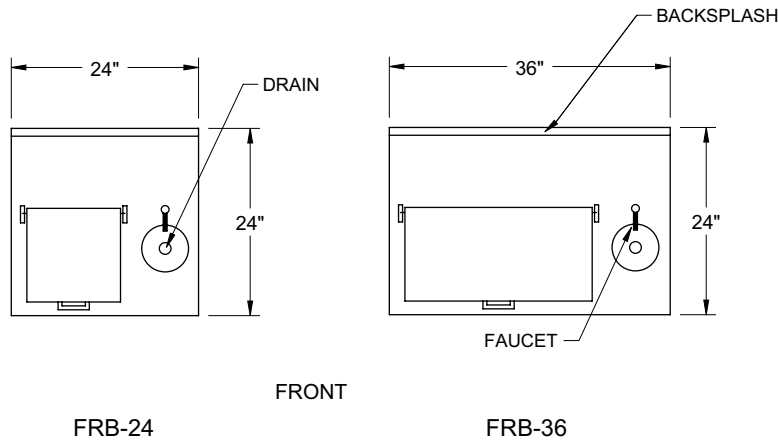
# Ice Cream Freezers

## Dimensional Information



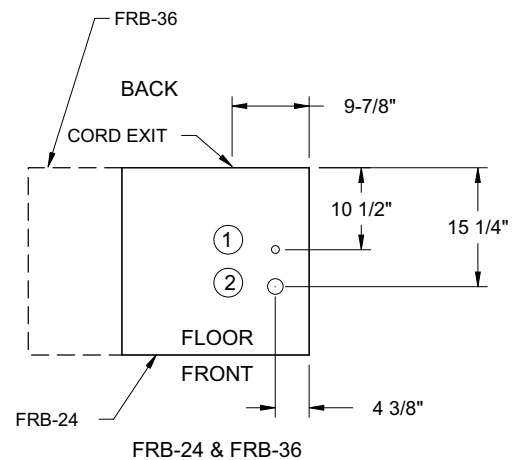
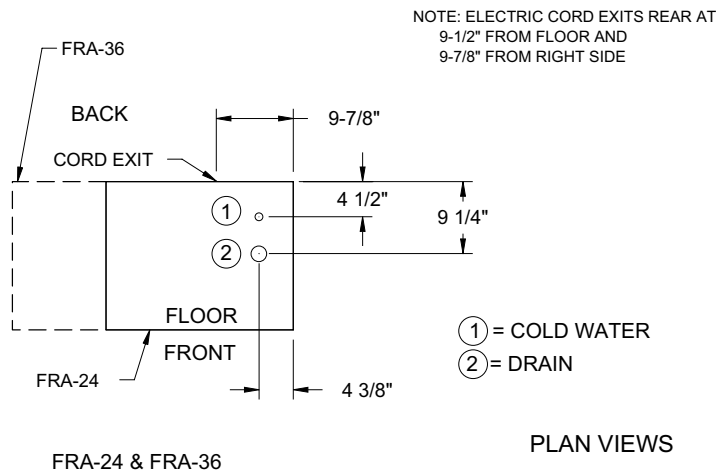
### PLAN VIEWS

### SIDE ELEVATION



### PLAN VIEWS

### SIDE ELEVATION



## MECHANICALS