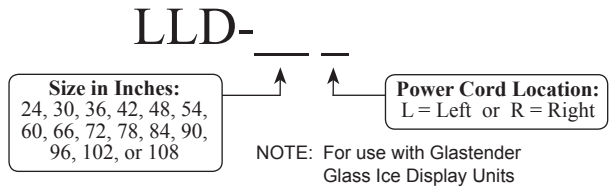
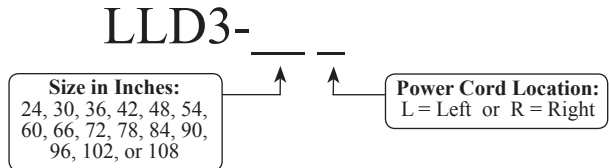
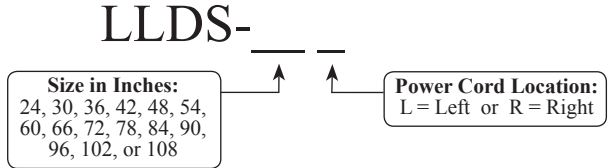




Project: _____	AIA# _____
Item #: _____ Qty: _____	SIS# _____
Model #: _____	

Lighted Liquor Displays



Standard Features

- Black vinyl-clad exterior construction
- On/off switch and 6 foot grounded cord and plug
- Includes fluorescent light bulbs
- LLDS models have two steps
- LLD3 models have three steps
- LLD models have two steps. The first step is 9-1/4" high and it has a front light channel for use in conjunction with Glastender Glass Ice Display Units
- Removable translucent acrylic step covers for easy access to light bulbs

Specifications

Electrical

- 115V, 1 phase, 60Hz, less than 5 full load amps
- Includes on/off switch and 6 foot grounded cord and plug located on the left or right side as specified by the model number

Materials

- 22 black vinyl-clad steel: front, back, and sides
- 22 gauge galvanized steel parts include: interior ballast housing and light bulb platform
- Top consists of 1/8" thick clear high impact PVC

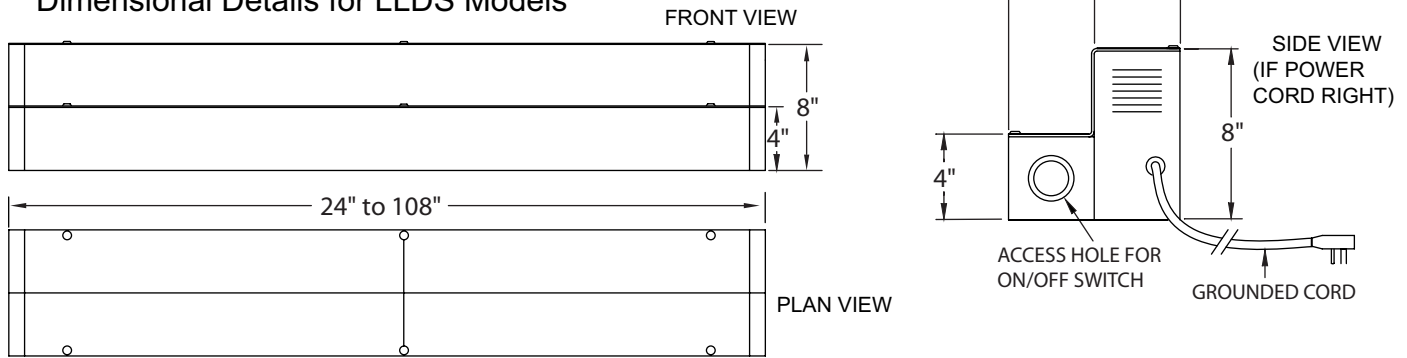
Glastender, Inc. • 5400 North Michigan Road • Saginaw, MI • 48604-9780 989.752.4275 • 800.748.0423 • Fax 989.752.4444 www.glastender.com
Specifications subject to change without notice. For current specifications please visit our website.

Approval/Notes:

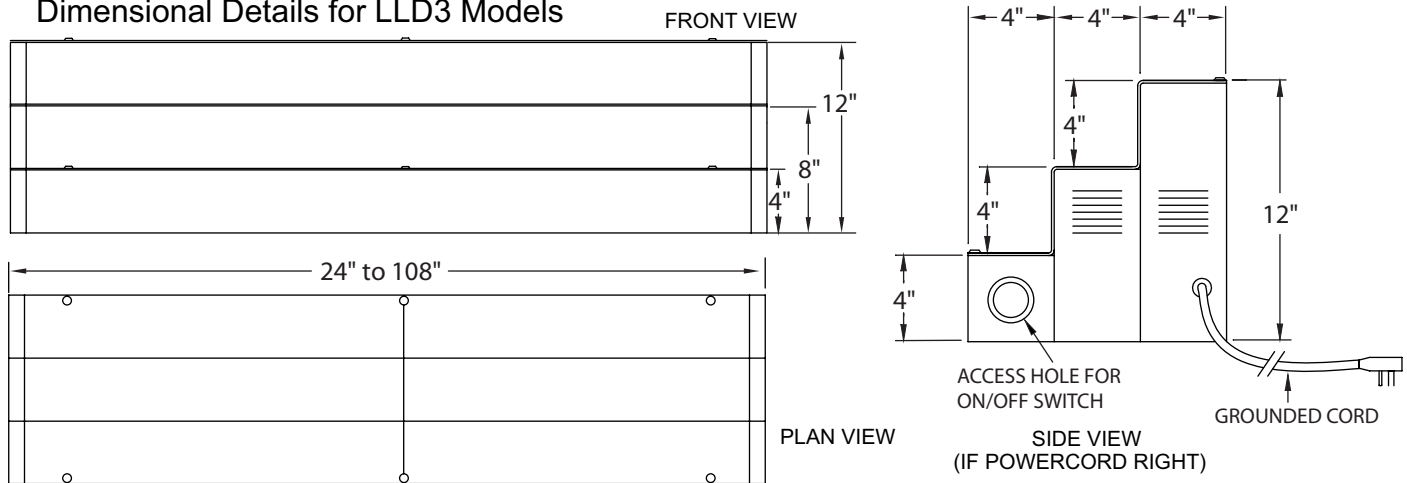
Lighted Liquor Displays

Dimensional Information

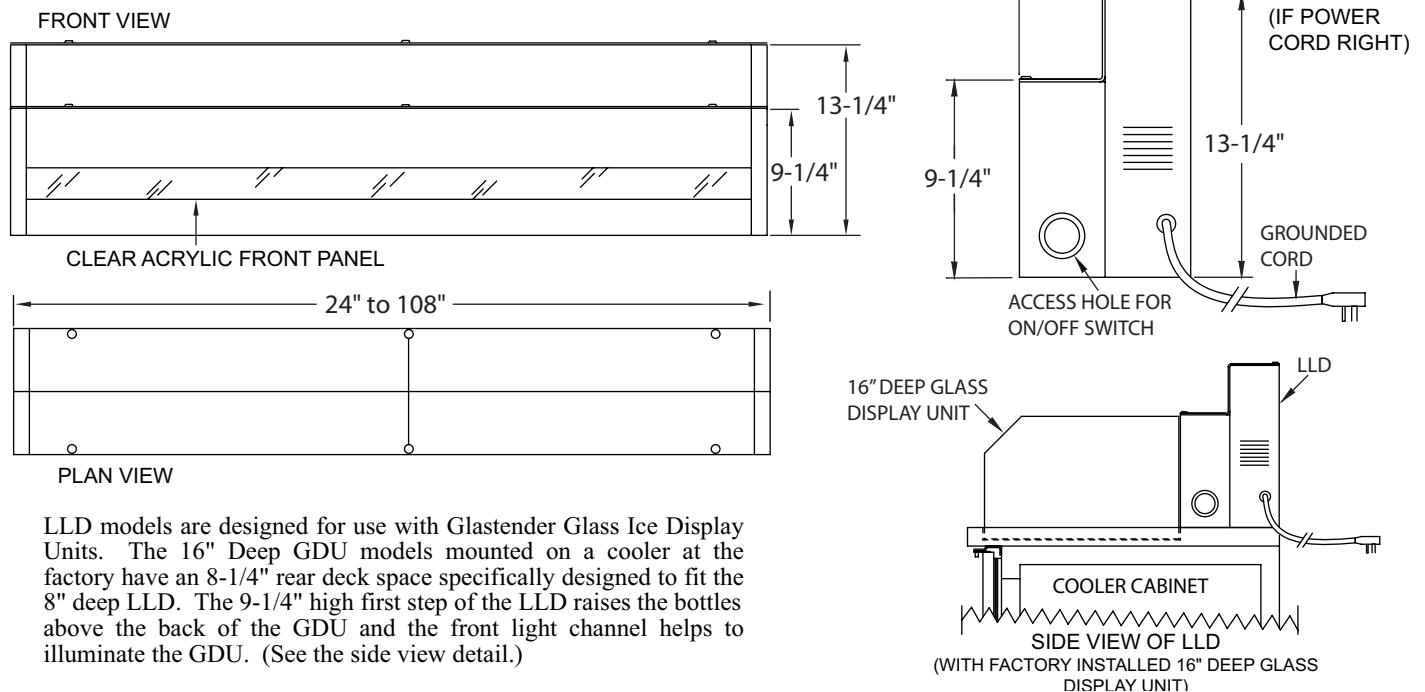
Dimensional Details for LLDS Models



Dimensional Details for LLD3 Models



Dimensional Details for LLD Models



LLD models are designed for use with Glastender Glass Ice Display Units. The 16" Deep GDU models mounted on a cooler at the factory have an 8-1/4" rear deck space specifically designed to fit the 8" deep LLD. The 9-1/4" high first step of the LLD raises the bottles above the back of the GDU and the front light channel helps to illuminate the GDU. (See the side view detail.)



5400 North Michigan Road • Saginaw, MI • 48604-9780
 989.752.4275 • 800.748.0423 • Fax 989.752.4444
 www.glastender.com

Printed in USA