



Project: _____	AIA# _____
Item #: _____ Qty: _____	SIS# _____
Model #: _____	

# Back Bar Cash Register Recess

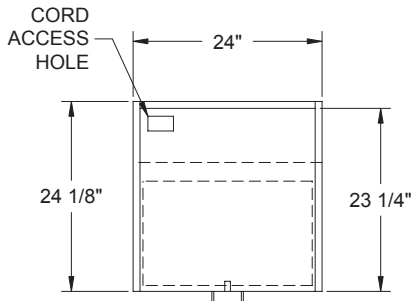


BB-CR

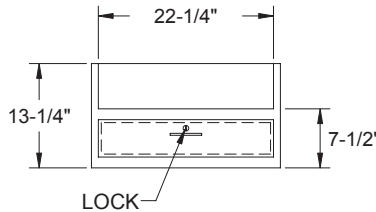
## Standard Features

The BB-CR back bar cash register recess is designed for use with Glastender back bar coolers. It is constructed with 3/4" plywood panels laminated on all six sides (faces and edges). The BB-CR has a locking drawer, cord access hole, and a notched back to create an electrical, beer, or CO<sub>2</sub> line chaseway. The standard laminate color is matte black.

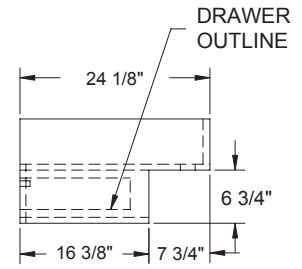
The BB-CR fits between two adjoining self-contained back bar or narrow door coolers with low profile compressor compartments. NOTE: BB and ND coolers that are constructed with low profile compressor compartments are not NSF7 listed for open food storage



Plan View

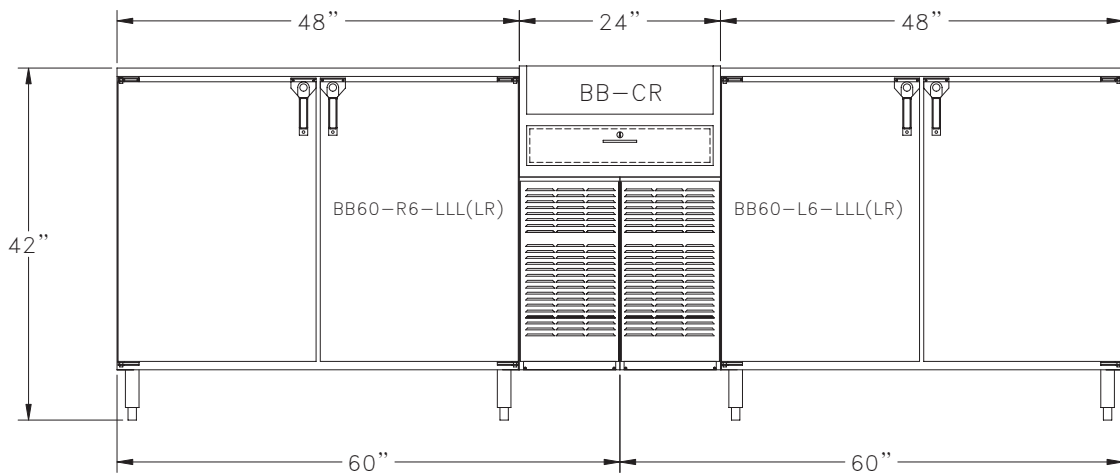


Front Elevation



Right Side Elevation

## Installation Detail



Front elevation of back bar line up showing two door coolers with low profile compressor compartments and BB-CR cash register recess.

<b>Glastender, Inc.</b> • 5400 North Michigan Road • Saginaw, MI • 48604-9780 989.752.4275 • 800.748.0423 • Fax 989.752.4444 <a href="http://www.glastender.com">www.glastender.com</a>	Approval/Notes:
Specifications subject to change without notice. For current specifications please visit our website.	