

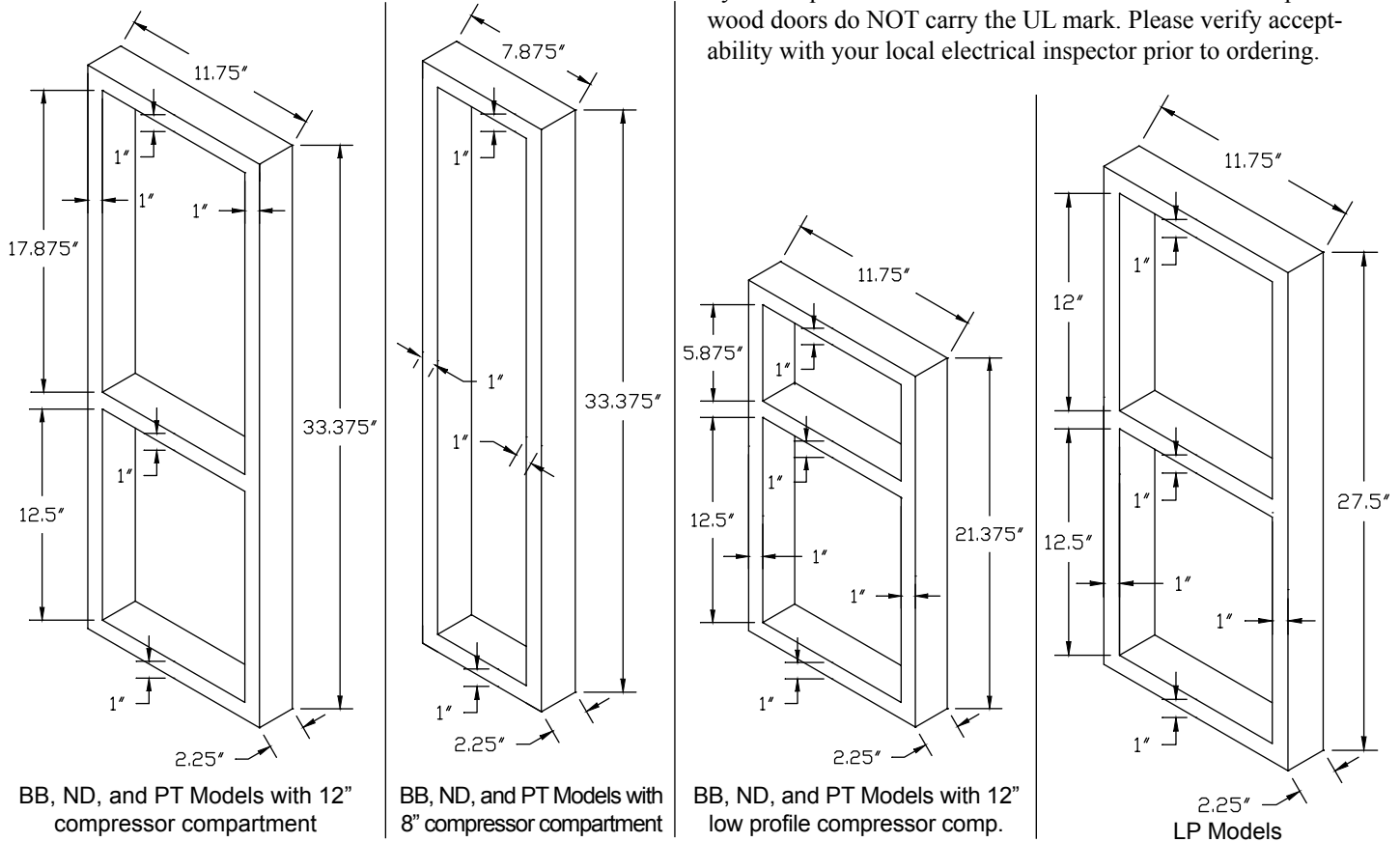


Glastender Back Bar, Narrow Door, Low Profile, and Pass Thru coolers can be supplied with wood compressor compartment covers to match wood panel doors. The dimensional specifications are shown below. Black vinyl-clad grill inserts, mounting brackets, foam tape, and screws are sent with the cooler.

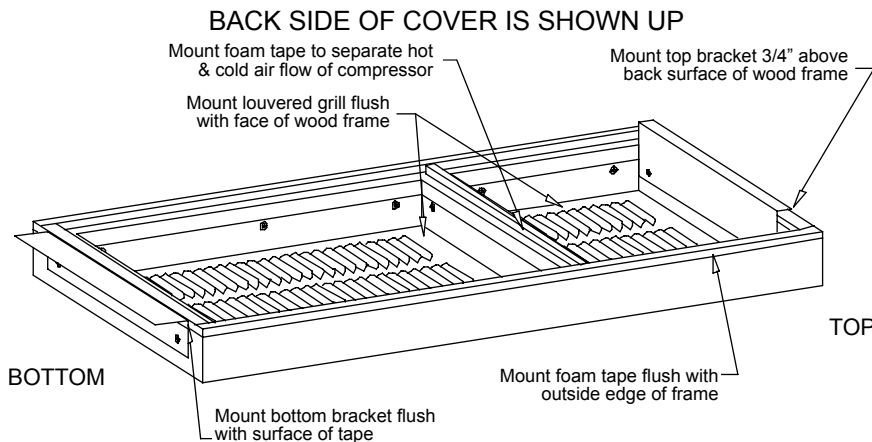
Project: _____	AIA# _____
Item #: _____ Qty: _____	SIS# _____
Model #: _____	

Wood Compressor Compartment Cover Details

NOTE: Raised panel wood doors do not meet UL flammability test requirements. Coolers manufactured with raised panel wood doors do NOT carry the UL mark. Please verify acceptability with your local electrical inspector prior to ordering.



Wood Panel Door Mounting Instructions



1. Mount louvered grills, top and bottom mounting brackets, and foam tape to wood compressor compartment cover as shown in the detail to the left.

2. Attach cover to compressor compartment by clipping the top bracket to the top front of the compressor compartment (endwall coolers do not use a top bracket, instead they are attached by a screw through the center of the top end of the compartment cover) and secure in place with screws through the bottom mounting bracket.

Glastender, Inc. • 5400 North Michigan Road • Saginaw, MI • 48604-9780 989.752.4275 • 800.748.0423 • Fax 989.752.4444 www.glastender.com	Approval/Notes:
Specifications subject to change without notice. For current specifications please visit our website.	