



DI-HS12



DI-HS14



Project: _____	AIA# _____
Item #: _____ Qty: _____	SIS# _____
Model #: _____	

## Drop-In Hand Sinks

DI-HS12, DI-HS12-LF, DI-HS14, DI-HS14-LF

### Standard Features

- Manufactured with total welded construction to meet all NSF® standards
- All stainless steel construction
- Unique hemmed edge for added strength and visual appeal
- 9-1/4" by 11-1/2" by 6" deep sink bowl
- Includes four 1/4-20 x 1-1/2" studs for mounting to countertop
- Includes 1-1/2" IPS drain fitting
- Heavy-duty faucet is standard (available less faucet by adding the suffix '-LF' to the model number)

★ All faucets are NSF/ANSI 61, Annex G low lead compliant

### Specifications

*Drains*

- 1-1/2" I.P.S. Threaded drain will fit Dearborn part #8033 slipnut and part #W-573P washer.

*Faucet*

- Deck mount on 4" centers, accepts 3/8" sink leads, hot and cold water connections required

*Sink Bowl Dimensions*

- 9-1/4" by 11-1/2" by 6" deep

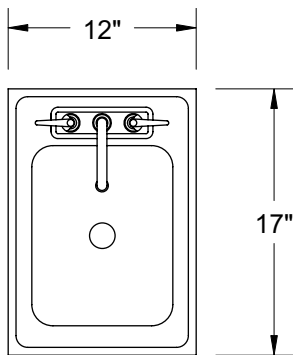
*Materials*

- 20 gauge stainless steel

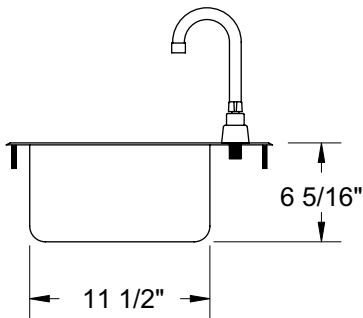
<b>Glastender, Inc.</b> • 5400 North Michigan Road • Saginaw, MI • 48604-9780 989.752.4275 • 800.748.0423 • Fax 989.752.4444 <a href="http://www.glastender.com">www.glastender.com</a>	Approval/Notes:
<small>Specifications subject to change without notice. For current specifications please visit our website.</small>	

# Drop-In Hand Sinks

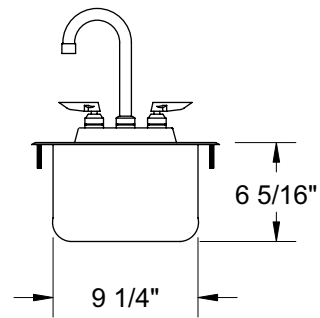
## Dimensional Information



PLAN VIEW

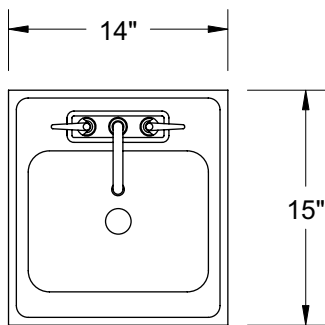


SIDE VIEW

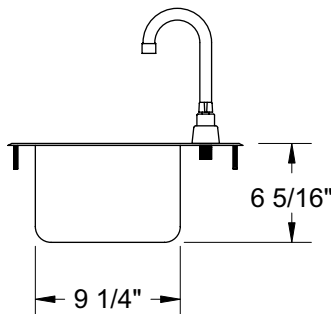


FRONT VIEW

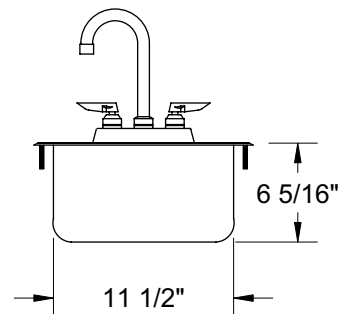
### DI-HS12



PLAN VIEW

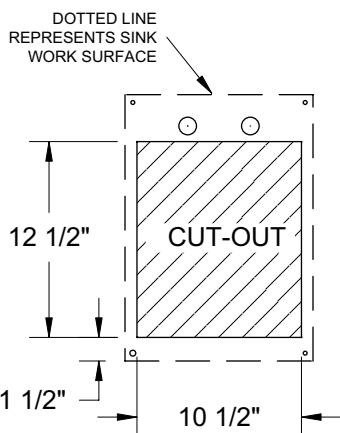


SIDE VIEW



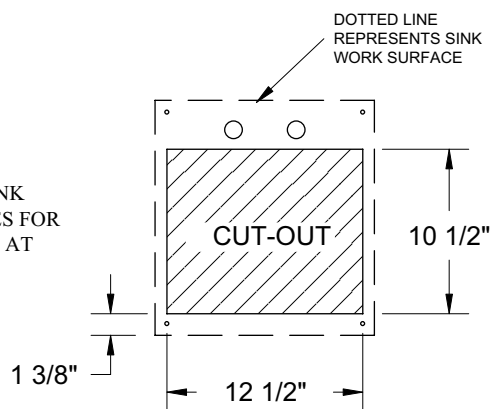
FRONT VIEW

### DI-HS14



DI-HS12

**CUT-OUT DIMENSIONS:**  
 10-1/2" x 12-1/2" FOR SINK BOWL  
 TWO 1-1/8" DIAMETER HOLES FOR SINK  
 LEADS AND FOUR 5/16" DIAMETER HOLES FOR  
 MOUNTING STUDS MUST BE DRILLED AT  
 TIME OF SINK INSTALLATION.



DI-HS14

## INSTALLATION INFORMATION